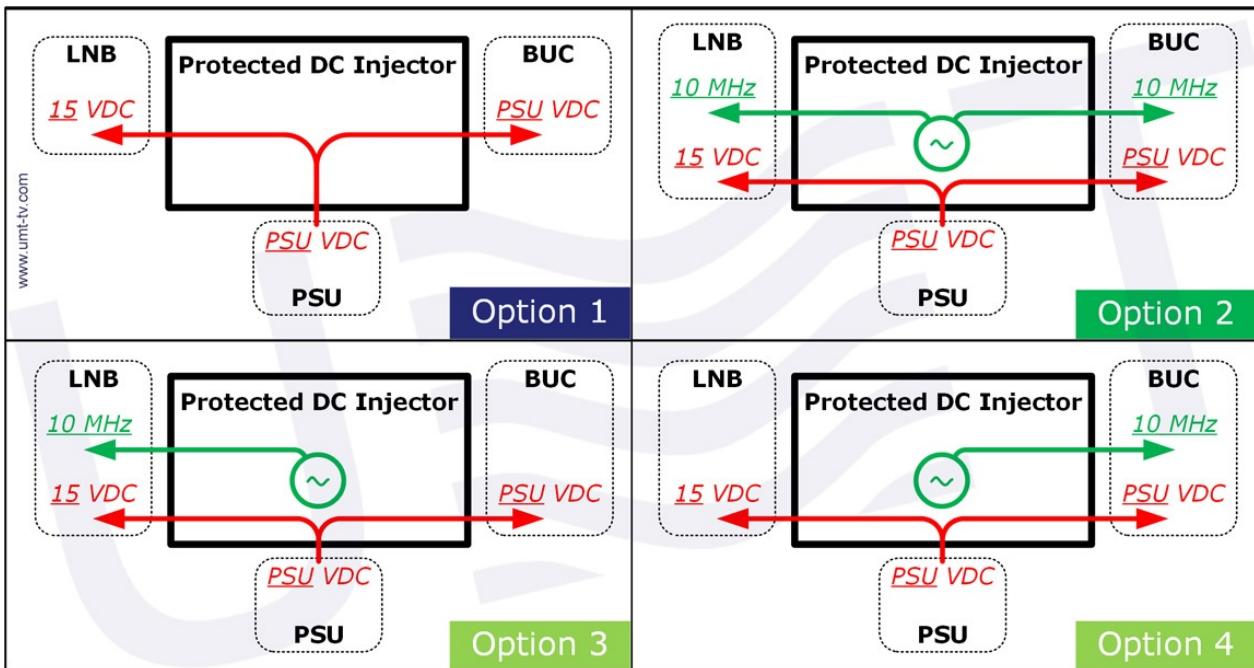


## REFERENCE GENERATOR ODCI WITH DC INJECTION



Reference generator ODCI with DC injection is two way protected DC injector (with environmental conditions protection and integrated reference 10 MHz) supplies LNB and/or BUC with VDC from a single power source and can be mounted outdoor.



Name	Value
Operating frequency range, MHz	950-1750
Input/output Impedance, Ohm	50
Inputs and outputs VSWR, no more than	1.8
General supply voltage, VDC	24±0.2
BUC regulated supply voltage, VDC	24±0.2
BUC maximum current, A	2.0
LNB regulated supply voltages, VDC	+15
LNB maximum current, A	0.5

<b>Reference signal frequency, MHz</b>	10
<b>Reference signal level on an input and output, dBm</b>	-5...+5
<b>Reference signal relative stability, ppm</b>	2.5
<b>Dimensions, mm</b>	155x114x55

*Taking into consideration that we (UMT LLC) are developer and system integrator, also do not stop on our technical growth and improvement, know that view of all our devices and equipment including their technical parameters may be different from pictures presented on website and parameters listed on each device webpage.*

**Note!** All details customer has to confirm in advance during ordering and before payment. Those parameters that were not specified and / or were not agreed while ordering will be implemented as basic at the discretion of the manufacturer. Each our customer has 1.5 year warranty and 7 year aftersales support for whole range of our products.