

DRA-K09



DRA-K09 is Double Reflector Antenna (Cassegrain antenna).

- ▶ It is designed for K-band: 18-27 GHz
- ▶ Can operate with linear and circular polarizations (by order)
- ▶ Beam (H): 1.5°; Beam (V): 1.5°
- ▶ Cross-polarization isolation: 25 dB
- ▶ Gain, max: 41-45 dBi

DRA-K09 is K-band double reflector antenna (Cassegrain antenna) designed for transmitting radio relay stations (RRS), MVDS / MMDS broadcasting systems. Antenna is performed as a single block with flange for transmitter or receiver connecting. Using one or several radio relay links allows to transfer the broadcast signal from/to remote TV (cable) operators or from/to remote head-end without wires. Thus, the current transmission method is especially useful in difficult terrain in the service area where cable laying is impossible.

Key features:

- High gain: 41-45 dBi (max, depends on frequency)
- Full K-band covering
- Beam(H): 1.5°; Beam (V): 1.5°
- Cross-polarization isolation of 25 dB

Main functions:

- Transmission or receiving of K-band signals
- Applied as a part of broadcasting head-end station, repeater, interactive microwave system and used at subscriber's receiving side

| Specification | |
|--|--------------------|
| Frequency range , GHz | 18 - 22 |
| Gain , max, dBi | 41-45 |
| VSWR | 2 |
| Polarization | Linear or circular |
| Cross-polarization isolation , dB | 25 |
| HPBW: | |
| @horizontal | 1.5° |

| | |
|--|--|
| @vertical | 1.5° |
| Side-lobe level relative to the main beam, dB | |
| Input power, max, W | 20 |
| Waveguide | WR-42, PBR 220 |
| Temperature range, °C | -50 to +80 |
| Humidity | 100% where 25°C |
| Size, mm | 980x980x310 |
| Weight, kg | 12.5 |
| Mount | Mounting on a vertical pipe with a diameter of 50-100 mm |
| Casing material | Canvas coverage |

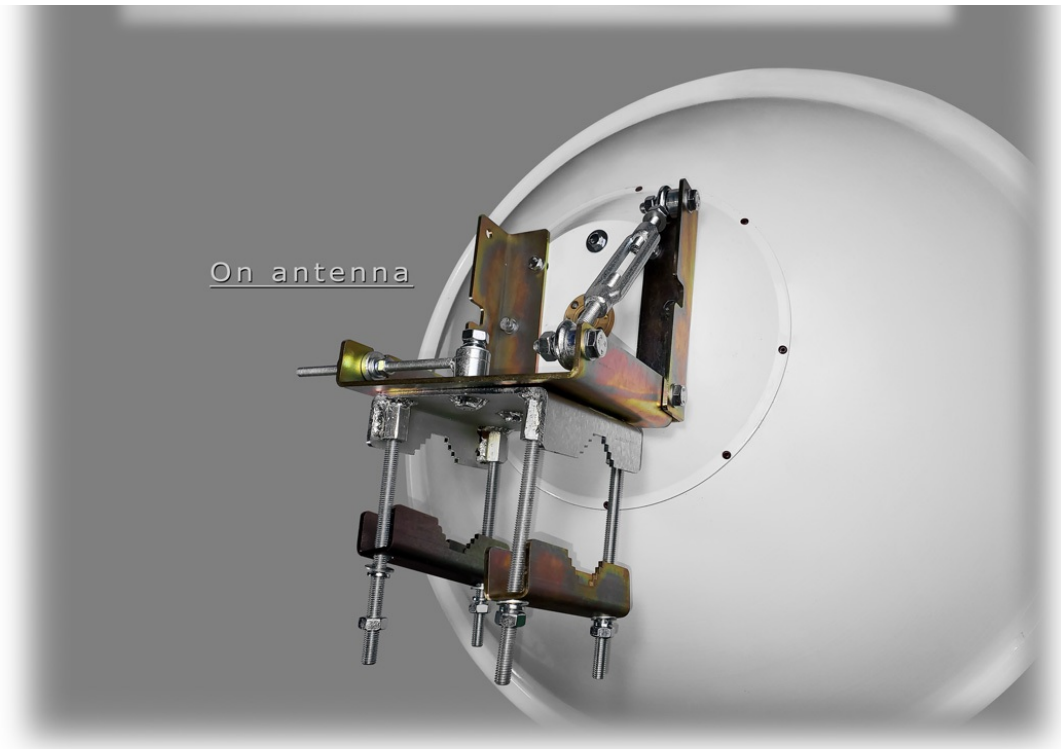
Installation:

Holder kit



Ready-assembled





Taking into consideration that we (UMT LLC) are developer and system integrator, also do not stop on our technical growth and improvement, know that view of all our devices and equipment including their technical parameters may be different from pictures presented on website and parameters listed on each device webpage.

Note! *All details customer has to confirm in advance during ordering and before payment. Those parameters that were not specified and / or were not agreed while ordering will be implemented as basic at the discretion of the manufacturer. Each our customer has 1.5 year warranty and 7 year aftersales support for whole range of our products.*